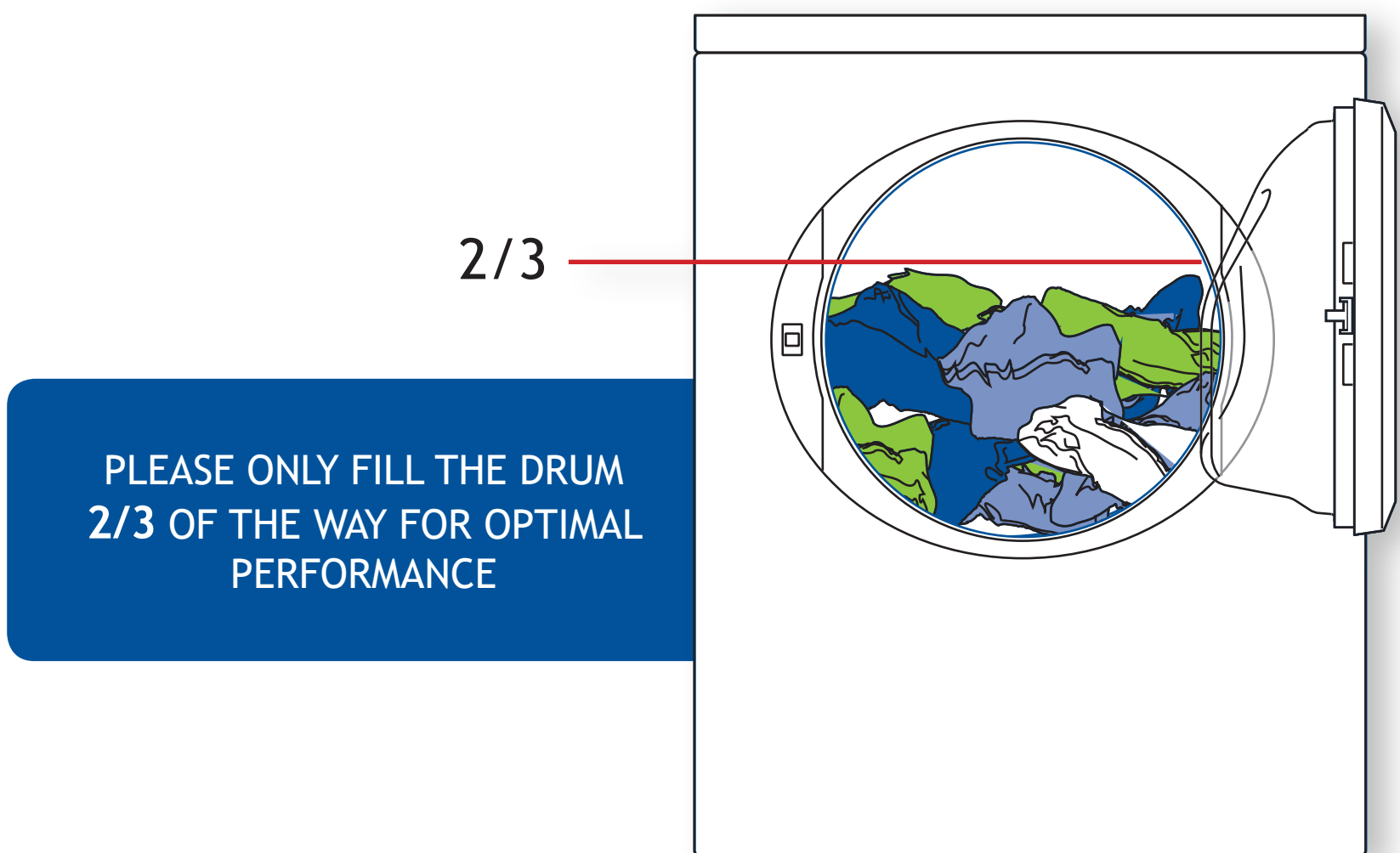


PLEASE DO NOT OVERLOAD THE WASHERS & DRYERS

To ensure that the clothing dries sufficiently & to avoid machine damage, please only fill the washer and dryer drums 2/3 of the way for optimal performance.



Overloading the washer will prevent it from reaching its full spin speed causing clothing to stay wet as well as potential machine damage. Overloading the dryer will not allow the machine to dry clothing properly. It can also cause the machine to overheat which may result in machine and clothing damage. **DO NOT** dry items with a “rubber” or “plastic” backing (i.e. bathroom mats) as these can also cause machine and clothing damage.

If you have any questions or concerns, please contact our Customer Care Department at 1-800-561-1972 or customer care@coinamatic.com.